

ELECTROMECHANICAL IRREVERSIBLE GEAR MOTOR WITH ARTICULATED ARM FOR SWING GATES WITH LEAVES UP TO 2 m, 24 Vdc



PLUS

With encoder: possibility of speed and slowdown regulation

Max safety in the obstacle detection

Integrated release for an easy manual unlock from outside

With slowdown, soft start and soft stop, to grant the product mechanical parts integrity

Reinforced mechanical parts and structure

CT-824S control unit:

New generation control unit with LCD display

With soft start and soft stop function availability

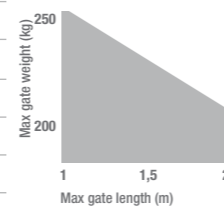
Motor speed regulation and safety edge connection possibility



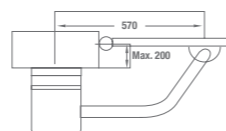
CODE	DESCRIPTION	PCS PALLET
SN-21	24 Vdc motor, without control unit, with encoder, opening and closing electric limit switch and external release for leaves up to 2 m	30
SN-21CS	24 Vdc motor, control unit with slowdown, encoder, opening and closing electric limit switch. With connectors for receiver for leaves up to 2 m	30

TECHNICAL DATA	SN-21	SN-21CS
control unit	-	CT-824S
power	Vac (Vdc) (24)	230 (24)
consumption power	W	75
motor consumption	A	3
protection degree	IP	63
thrust force	N	1200
working cycle	%	80
shutter opening time	sec	15
working temperature	°C	-20° + 55°
weight	kg	12,5

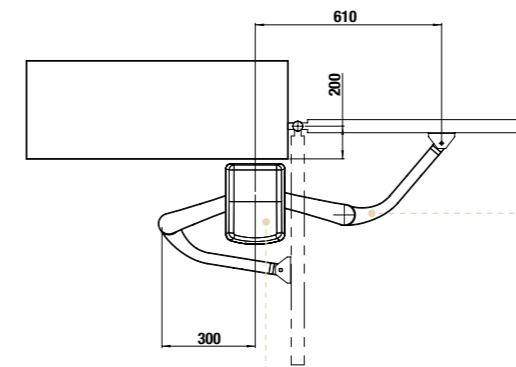
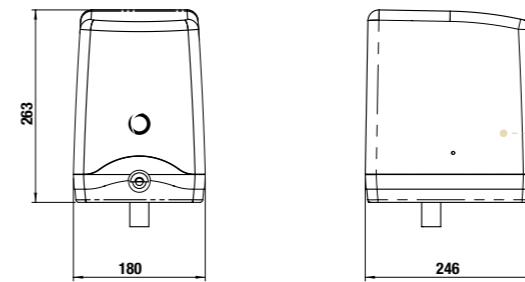
LIMITS USE



The shape, the height of the gate and the weather conditions can considerably reduce the values shown above, in the graph



A max	400
B max	300
D max	800



Electric limit switch



Aluminum articulated arm with robust joining pin



Robust mechanical components and gears

ACCESSORIES

	BAT-12-2A (1pc) Battery 12 V 2A		ELS-0 Horizontal 12 V electrolock
	ELS-V Vertical 12 V electrolock		KITFBSN20 Kit fixing batteries 24 V
	TS Warning board		