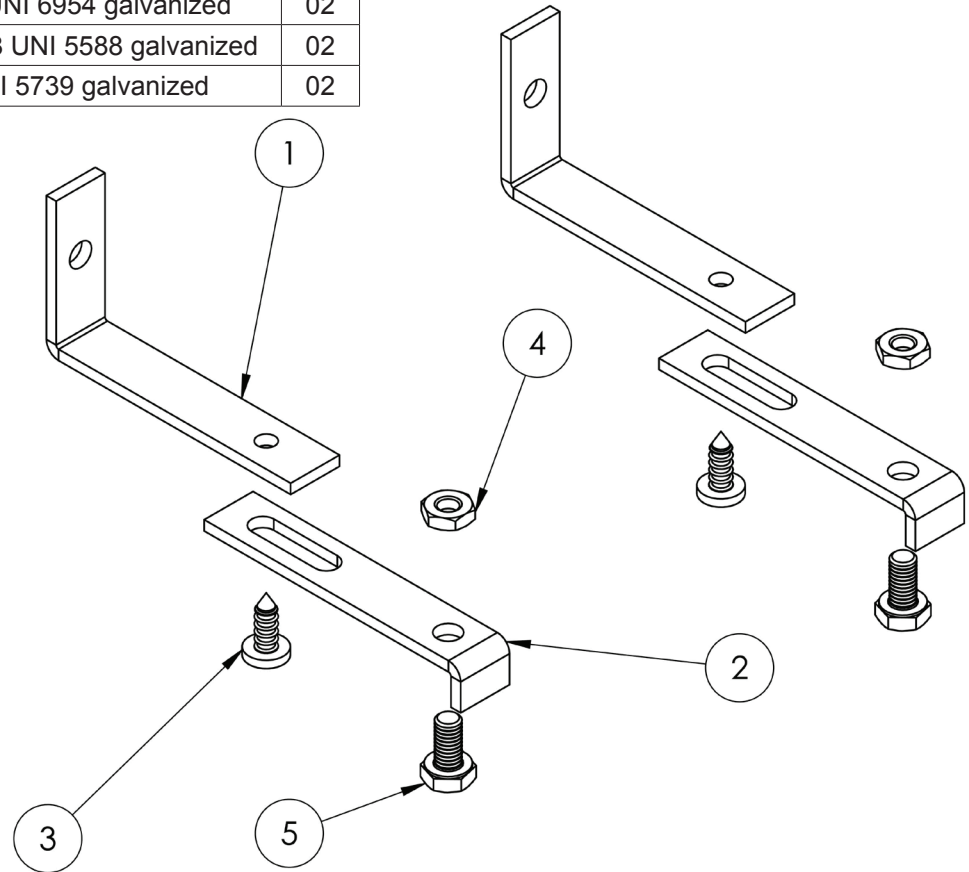




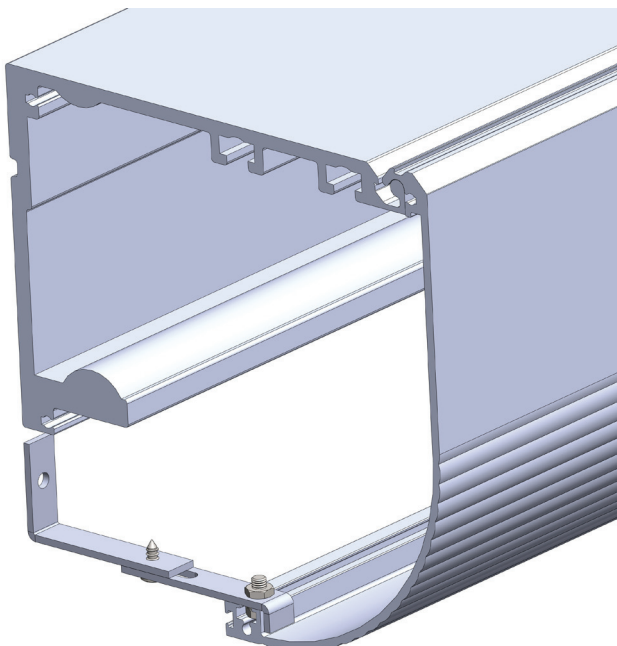
900KPAFC0

Internal snap bracket for cover of WIND - WIND LIGHT

Num.	Description	Qt.
1	Wall bracket	02
2	Cover bracket	02
3	Screw 3.9x9.5 8.8 UNI 6954 galvanized	02
4	Hexagon nut M4 8.8 UNI 5588 galvanized	02
5	Screw M4x8 8.8 UNI 5739 galvanized	02



WIND



WIND LIGHT

