

# SHARP 76/76BM

ELECTROMECHANICAL GEAR MOTOR FOR ROLLING SHUTTERS,  
UP TO 350 Kg, 230 Vac, SHAFT 76 mm



Semi-automatic limit switch, easy and intuitive

Excellent performance thanks to noiseless gear motor

76 mm shaft, single or bi-motor version

Electromagnetic brake version

Smooth reversibility in case of power failure

Low maintenance required with good resistance to wear

With 230 Vac control unit CT1RD, (page 152 for technical details)

## MODELS

CODE	DESCRIPTION	PCS PALLET
SW6240EFE	Motor for Ø 76 mm shaft, rim Ø 240 mm, 180 Kg. With electro-brake (1 pc)	45
SW12240EFE	Motor for Ø 76 mm shaft, rim Ø 240 mm, 350 Kg. With electro-brake (1 pc)	45

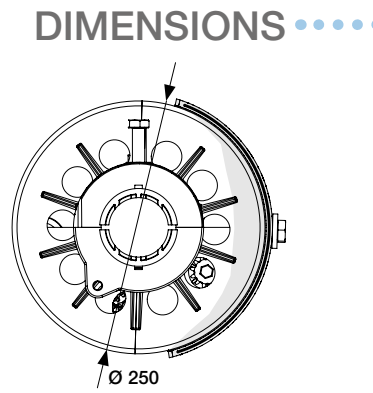
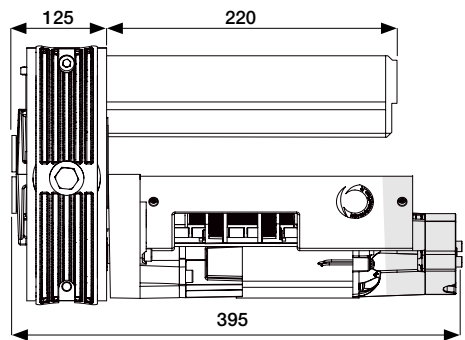


Solid and robust design



High performance motors

		SW6240EFE	SW12240EFE
<b>MECHANICAL DATA</b>			
speed	rpm	8	8
torque	Nm	185	370
working cycle	%	30	30
<b>ELECTRICAL DATA</b>			
control board		CT1RD	CT1RD
power	Vac	230	230
consumption	A	2,8	5,6
absorbed power	W	600	1200
capacitor	µF	20	40
thermoprotection	°C	170	170
<b>GENERIC DATA</b>			
protection degree	IP	20	20
dimensions (L - D - H)	mm	350 - Ø 240	399 - Ø 240
weight	kg	13	17,5
working temperature	°C	-20 + 55	-20 + 55



**ACCESSORIES**

**BMET**  
Metal box with release system  
PC 1

**CT1RD**  
230 Vac control unit with integrated receiver. In box  
PC 1

**FT22**  
Pair of photocells for external use and flush-mounting (30x28x90 mm)  
PC 1

**SEL-M**  
Outdoor key selector  
PC 1

**SW-EFE**  
Electro-brake with release  
PC 1

**TS**  
Warning board  
PC 1