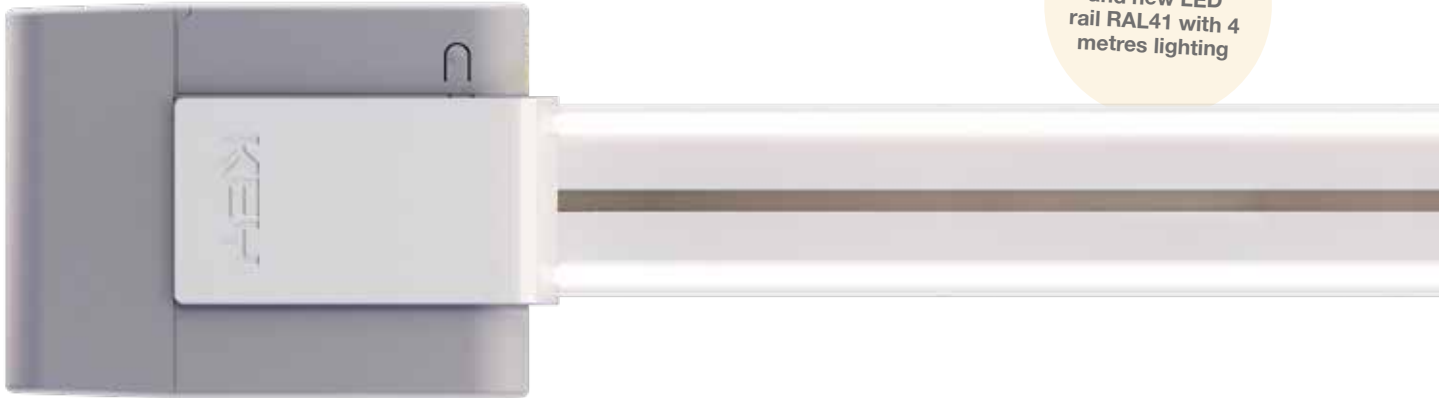


ELECTROMECHANICAL GEAR MOTOR FOR SECTIONAL DOORS UP TO 19 m² AND OVERHEAD DOORS UP TO 17 m², 24 Vdc



NEW POWER
and new LED
rail RAL41 with 4
metres lighting



MODELS

CODE	DESCRIPTION	PCS PALLET
HA8	For sectional doors up to 11 sqm (with 3 m guide) or 12 sqm (with 4 m guide), a 24 Vdc motor and a control unit with an integrated receiver	64
HA12	For sectional doors up to 16 sqm (with 3 m guide) or 19 sqm (with 4 m guide), a 24 Vdc motor and a control unit with an integrated receiver	64
HA12E	For sectional doors up to 16 sqm (with 3 m guide) or 19 sqm (with 4 m guide), "Low Energy" with 24 Vdc motor and a control unit with an integrated receiver	64
RAL31	Aluminum belt rail with integrated LED lighting, 3090 mm (1x3m) one-piece runner	
RAL41	Aluminum belt rail with integrated LED lighting, 4090 mm (1x4m) one-piece runner	
RAB3X1P	Steel belt rail, 3100 mm (3x1.33m) 3-pieces runner	
RAB31	Steel belt rail, 3100 mm (1x3.1m) one-piece runner	
RAB41	Steel belt rail, 4100 mm (1x4.1m) one-piece runner	
RAB61	Steel belt rail, 6200 mm (2x3.1m) 2-pieces runner	

PLUS

Side-opening hatch for access to electronics

Illuminates garage with two rows of LEDs 4 m long, total output 40W LED

Carriage completely integrated into the runner

Two-button programming, with KUBE PRO receiver or with DYL cabled display

Door opening via smartphone (with KUBE)

Extruded aluminium rubber powder-coated in RAL9010

Standard runner with steel C-section available with belt drive system, total length 3 or 4m, one-piece or 3-piece runner for 3m length

3 installation modes: classic, on cross beam, on spring shaft

Compact head unit (total height 8 cm) with runner integral in unit, allowing installation close to the spring shaft



Rail with LED light



Side-opening hatch



Compact head unit
(total height 8 cm)



Installations on spring
shaft/cross beam

		HA8	HA12	HA12E
MECHANICAL DATA				
speed	cm/s	15	15	15
force	N	800	1200	1200
max cycles/hour ⁽¹⁾		20	20	20
ELECTRICAL DATA				
power supply	Vac	230 (±10%) 50Hz	230 (±10%) 50Hz	230 (±10%) 50Hz
flashing	W	3 max	3 max	3 max
courtesy light on guide with integrated LEDs	W	-	40 max	40 max
accessories power output	mA	100 (24 Vdc not regulated)		
max no. of transmitters that can be stored		90	90	90
ROLLING CODE				
GENERIC DATA				
degree of protection	IP	20	20	20
dimensions (L x D x H):	mm	235 - 330 - 84	235 - 330 - 84	235 - 330 - 84
weight	kg	6,250	6,8	6,8
working temperature	°C	-10 + 45	-10 + 45	-10 + 45
maximum door size	m ²	12	19	19
maximum door weight	kg	120	200	200

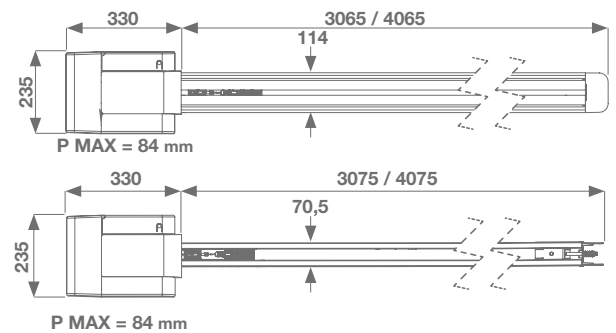
	COMPATIBILITY HEAD - RAIL	
	HA8	HA12 HA12E
RAB31	X	X
RAB3X1P	X	X
RAB41	X	X
RAB61		X
RAL31		X
RAL41		X

⁽¹⁾ for 2,4x2m LxH door
Data are subject to smoothness and balance of the door and the type of rail used

LIMIT USE

Sectional	Up-and-over	Sectional	Up-and-over
HA8 with 3 m guide		HA12, HA12E with 3 m guide	
S max=11m ²	S max=10m ²	S max=16m ²	S max=16m ²
HA8 with 4 m guide		HA12, HA12E with 4 m guide	
S max=12m ²	S max=11m ²	S max=19m ²	S max=17m ²

DIMENSIONS



ACCESSORIES

PC 1	PC 1	PC 1	PC 1	PC 1	PC 1	PC 1
PC 1	PC 1	PC 1	PC 1	PC 1	PC 1	PC 1
PC 1	PC 1	PC 1	PC 1	PC 1		

LED KIT - KIT TO LIGHT UP THE GARAGE DOOR

	+		+		o		=	KVIPLDFW or KVIPLDFB	PC 1
QUADRO Night sensor		VIP1 Main board for led lights control		STIKFW Led garden lights (white color). PCS 2		STIKFB Led garden lights (brown color). PCS 2			PC 1

* we recommend not to exceed 4 mt connection length to avoid significant radio range losses