

SHARP 60/60BM

ELECTROMECHANICAL GEAR MOTOR FOR ROLLING SHUTTERS, UP TO 320 Kg,
230 Vac, SHAFT 60 mm



MODELS

CODE	DESCRIPTION	PCS PALLET
SW6200	Motor for Ø 42*-48-60 mm shaft, rim Ø 200-220 mm, 170 Kg	45
SW6200EF	Motor for Ø 42*-48-60 mm shaft, rim Ø 200-220 mm, 170 Kg. With electro-brake	45
SW12200	Motor for Ø 42*-48-60 mm shaft, rim Ø 200-220 mm, 320 Kg	45
SW12200EF	Motor for Ø 42*-48-60 mm shaft, rim Ø 200-220 mm, 320 Kg. With electro-brake	45

* Only with accessory ACSW002A00

PLUS

Semi-automatic limit switch, easy and intuitive
Excellent performance thanks to noiseless gear motor
Electromagnetic brake version

Smooth reversibility in case of power failure
Low maintenance required with good resistance to wear
With 230 Vac control unit CT1RS



Limit switch with fast adjustment



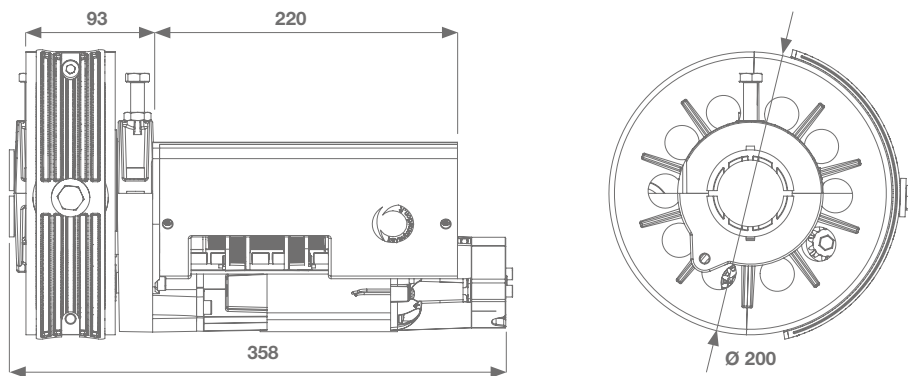
Solid and robust design



High performance motors

		SW6200	SW6200EF	SW12200	SW12200EF
MECHANICAL DATA					
speed	rpm	10	10	10	10
torque	Nm	175	175	325	325
working cycle	%	30	30	30	30
ELECTRICAL DATA					
control board		CT1RS	CT1RS	CT1RS	CT1RS
power	Vac	230	230	230	230
consumption	A	2,8	2,8	5,6	5,6
absorbed power	W	600	600	1200	1200
capacitor	µF	20	20	35	35
thermoprotection	°C	170	170	170	170
GENERIC DATA					
protection degree	IP	20	20	20	20
dimensions (L - D - H)	mm	350 - Ø 200	350 - Ø 200	350 - Ø 200	350 - Ø 200
weight	kg	8	9	11,5	12,5
working temperature	°C	-20 + 55	-20 + 55	-20 + 55	-20 + 55

DIMENSIONS



ACCESSORIES

						
ACS002A00 Shaft adapter Ø 42	BMET Metal box with release system	CT1RS 230 Vac control unit with integrated receiver. In box	FT23 Pair of photocells for external use and flush-mounting (30x28x90 mm)	EGS1 Key selector with all-metal body	SW-EF Electro-brake with release	TS Warning board
PCS 2	PC 1	PC 1	PC 1	PC 1	PC 1	PC 1