

SHARP 76/76BM

ELECTROMECHANICAL GEAR MOTOR FOR ROLLING SHUTTERS, UP TO 350 Kg,
230 Vac, SHAFT 76 mm



MODELS

CODE	DESCRIPTION	PCS PALLET
SW6240EFE	Motor for Ø 76 mm shaft, rim Ø 240 mm, 180 Kg. With electro-brake	45
SW12240EFE	Motor for Ø 76 mm shaft, rim Ø 240 mm, 350 Kg. With electro-brake	45

PLUS

Semi-automatic limit switch, easy and intuitive
Excellent performance thanks to noiseless gear motor
76 mm shaft, single or bi-motor version
Electromagnetic brake version

Smooth reversibility in case of power failure
Low maintenance required with good resistance to wear
With 230 Vac control unit CT1RS



Solid and robust design



High performance motors

MECHANICAL DATA

speed	rpm	10	8
torque	Nm	175	370
working cycle	%	30	30

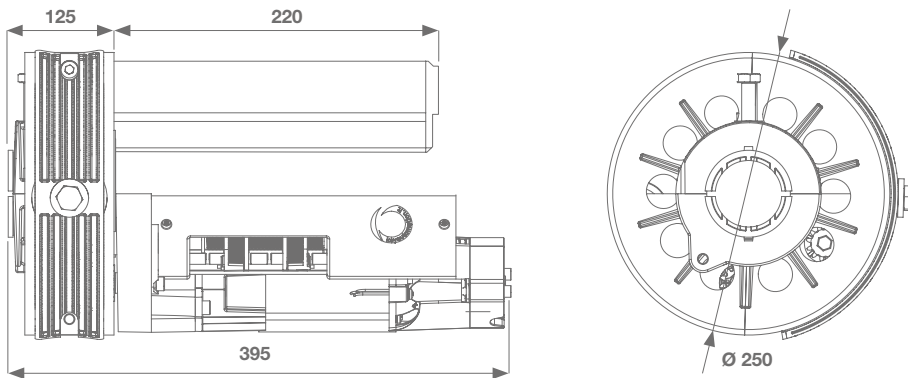
ELECTRICAL DATA

control board		CT1RS	CT1RS
power	Vac	230	230
consumption	A	2,8	5,6
absorbed power	W	600	1200
capacitor	µF	20	40
thermoprotection	°C	170	170

GENERIC DATA

protection degree	IP	20	20
dimensions (L - D - H)	mm	350 - Ø 200	399 - Ø 240
weight	kg	8	17,5
working temperature	°C	-20 + 55	-20 + 55

DIMENSIONS



ACCESSORIES



BMET
Metal box with release system

PC 1



CT1RS
230 Vac control unit with integrated receiver. In box

PC 1



FT23
Pair of photocells for external use and flush-mounting (30x28x90 mm)

PC 1



EGS1
Key selector with all-metal body

PC 1



SW-EF
Electro-brake with release

PC 1



TS
Warning board

PC 1