



## MODELS

CODE	DESCRIPTION	PCS PALLET
<b>RAY2524</b>	For swing gates with maximum length 3 m or max weight 500 kg per leaf, 24 Vdc motor	25
<b>RAY2524E</b>	For swing gates with maximum length 3 m or max weight 500 kg per leaf, 24 Vdc motor, with encoder	25
<b>RAY4024E</b>	For swing gates with maximum length 4 m or max weight 600 kg per leaf, 24 Vdc motor, with encoder	25
<b>KRAY4024R</b>	For swing gates with maximum length 4 m or max weight 500 kg per leaf, 24 Vdc motor, reversible, included of power module PO24R, with encoder	25
<b>RAY3024F</b>	For swing gates with maximum length 3 m or max weight 300 kg per leaf, 24 Vdc motor, with encoder	25

## PLUS

High technological materials resistant to weather conditions  
 User friendly. Manual unlock possible with Sub transmitter  
 Built in LED light in the front of the motor body, to light up gate entrance and define width of the passage at night  
 UV-resistant plastic covers

Aligned front and rear mounting brackets for ease of motor installation  
 Extremely silent mechanics, protected by robust die-cast and powder-coated aluminum body

RAY FAST: opening speed at 90° in 10 seconds \*  
 \* slow down phase excluded



Built-in LED light mask




Possibility to unlock motor with transmitter



Robust bronze lock nut on endless screw

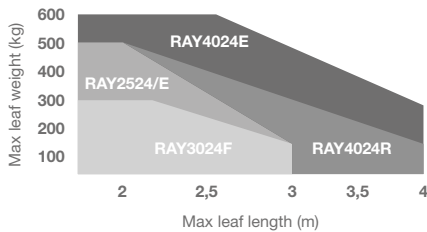


Metal gearing (RAY4024E, RAY4024R, RAY3024F)

		RAY2524	RAY2524E	RAY4024E	KRAY4024R	RAY3024F
<b>MECHANICAL DATA</b>						
speed	cm/s	2,6	2,6	1,5	3	3,8
pulling force	N	1500	1500	2000	1000	1000
working cycle	%	80	80	80	80	50
opening time at 90°	sec	18-25*	18-25*	20-25*	20-25*	10-15*
<b>ELECTRICAL DATA</b>						
control board		14AB	14AB	14AB2	14AB2	14AB2F 
power	Vdc	24	24	24	24	24
consumption	A	3,5	3,5	5	5	5
absorbed power	W	85	85	120	120	120
integrated lights		yes	yes	yes	yes	yes
<b>GENERIC DATA</b>						
protection degree	IP	44	44	44	44	44
dimensions (L - D - H)	mm	844 - 100 - 104	844 - 100 - 104	844 - 100 - 104	844 - 100 - 104	844 - 100 - 104
weight	kg cad	6	6	8	8	8
working temperature	°C	-20 + 55	-20 + 55	-20 + 55	-20 + 55	-20 + 55
leaf maximum weight	Kg	500	500	600	500	300

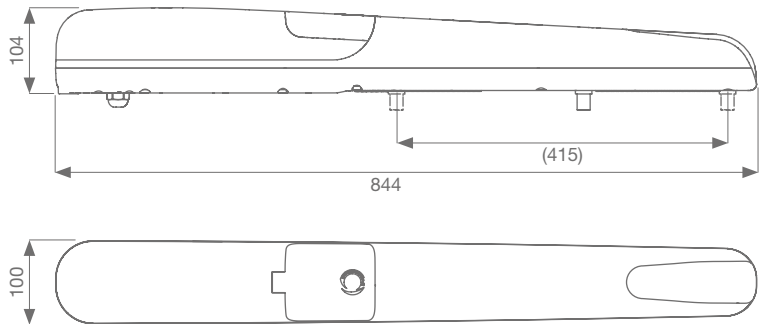
\* with optimized fixing dimensions

## LIMIT USE



Gate shape and height and weather conditions can considerably reduce the values shown above, in the graph. 230 Vac motors are suggested for windy areas. The RAY4024 model is recommended for condominium installations.

## DIMENSIONS



## ACCESSORIES

 <b>ADFB</b> Pair of adjustable front mounting brackets PC 1	 <b>ADRB</b> Pair of adjustable rear mounting brackets PC 1	 <b>ADWA</b> Adapter kit for competitors motors PC 1	 <b>FCRAY</b> Mechanical stop in closing PC 1	 <b>ELS-C</b> Horizontal 12 V electrolock PC 1	 <b>KBP</b> Battery back-up kit PC 1	 <b>KITFIXBATT</b> Fixing brackets for batteries PC 1
 <b>KC</b> Unlock key cylinder PC 1	 <b>EXRB</b> Extension bracket for outside opening PC 1	 <b>520STAF032A00</b> Adapting rear bracket PC 1	 <b>999KRAYD</b> Colour change kit RAL 7016 PC 1	 <b>550CABL045A00 *</b> Special cable for Eclipse RG174 50 Ohm + 4 x 0,50 mm² (100m) PC 1	 <b>14AB2</b> Control unit in box for two 24 Vdc motors PC 1	 <b>14AB2F</b> Control unit in box for two 24 Vdc motors (only RAY3024F) PC 1
 <b>EGS1</b> Key selector with all-metal body PC 1	 <b>DYL</b> Display module Cable length 120 cm (only 14A) PC 1	 <b>KUBEPRO</b> Wireless module for programming (only 14A) PC 1	 <b>TS</b> Warning board PC 1	* we recommend not to exceed 4 mt connection length to avoid significant radio range losses		