



MODELS

CODE	DESCRIPTION	PCS PALLET
REP2024	For swing gates with maximum length 2,3 m or weight 250 kg per leaf, 24 Vdc motor	16
REP2024S	For swing gates with maximum length 2,3 m or weight 250 kg per leaf, 24 Vdc motor. Without control unit	16

PLUS

Even more compact size. Installation height just 5 cm from ground level.

The product combines a lighting system with an articulated arm gear motor. Designed for swing gates made of aluminum, PVC or wood leaves

Simplified adjustment of the on-board mechanical stops

The articulated arm allows the installation of RÉVO in all those difficult situations where there is a significant depth between the leaf and the column, or with very narrow columns (10x10 cm).

Available in two versions, with articulated arm or sliding arm for reduced openings

Ideal for narrow columns or pillars with reduced dimensions. Compact shape and silent movement, made of strong die-cast aluminum and UV resistant covers

The unlocking system is simple and intuitive, also possible using the transmitter Sub.

Optional unlock from the outside



Installation up to 5 cm from the ground



Easy cable passage



Compact dimensions (width 12 cm)



Simplified limit switch adjustment

MECHANICAL DATA

torque	Nm	120	120
working cycle	%	80	80
opening time at 90°	sec	14-20	14-20

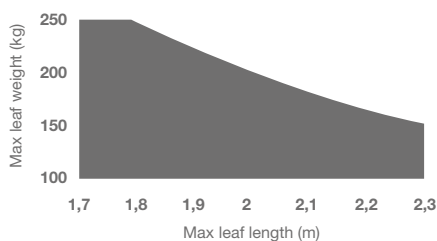
ELECTRICAL DATA

control board		14A	-
power	Vac	230	-
	Vdc	-	24
consumption	A	0,6	2
absorbed power	W	115	50
integrated lights		yes	yes

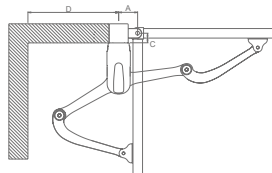
GENERIC DATA

protection degree	IP	44	44
dimensions (L - D - H)	mm	125 x 255 x 310	125 x 255 x 310
weight	kg cad	10	7,5
working temperature	°C	-20 + 55	-20 + 55
leaves maximum weight	Kg	250	250

LIMIT USE

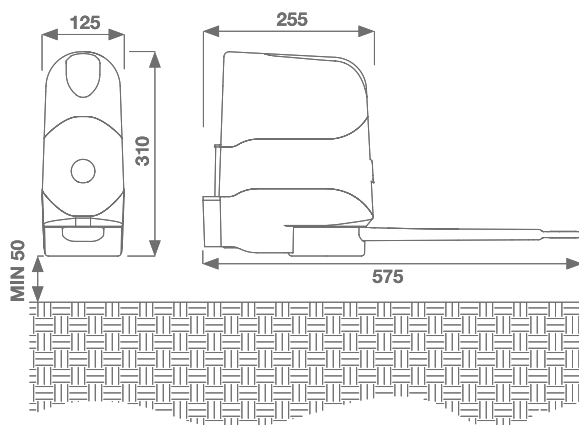


Gate shape and height and weather conditions can considerably reduce the values shown above, in the graph.



A min	100
C max	200
D min	450

DIMENSIONS



ACCESSORIES

ELS-C Horizontal 12 V electrolock	KBPN NiMH battery back-up kit	KC Unlock key cylinder	REV1 Slide arm	REV2 Arm for reduced openings	REV3 External release unlock kit	BMET Metal box with release system
PC 1	PC 1	PC 1	PC 1	PC 1	PC 1	PC 1
999KREVOD Colour change kit RAL 7016	550CABL045A00 * Special cable for Eclipse RG174 50 Ohm + 4 x 0,50 mm² (100m)	EGS1 Key selector with all-metal body	DYL Display module Cable length 120 cm (only 14A)	KUBEPRO Wireless module for programming (only 14A)	KUBE Module for automation control from smartphone	TS Warning board
PC 1	PC 1	PC 1	PC 1	PC 1	PC 1	PC 1

* we recommend not to exceed 4 mt connection length to avoid significant radio range losses